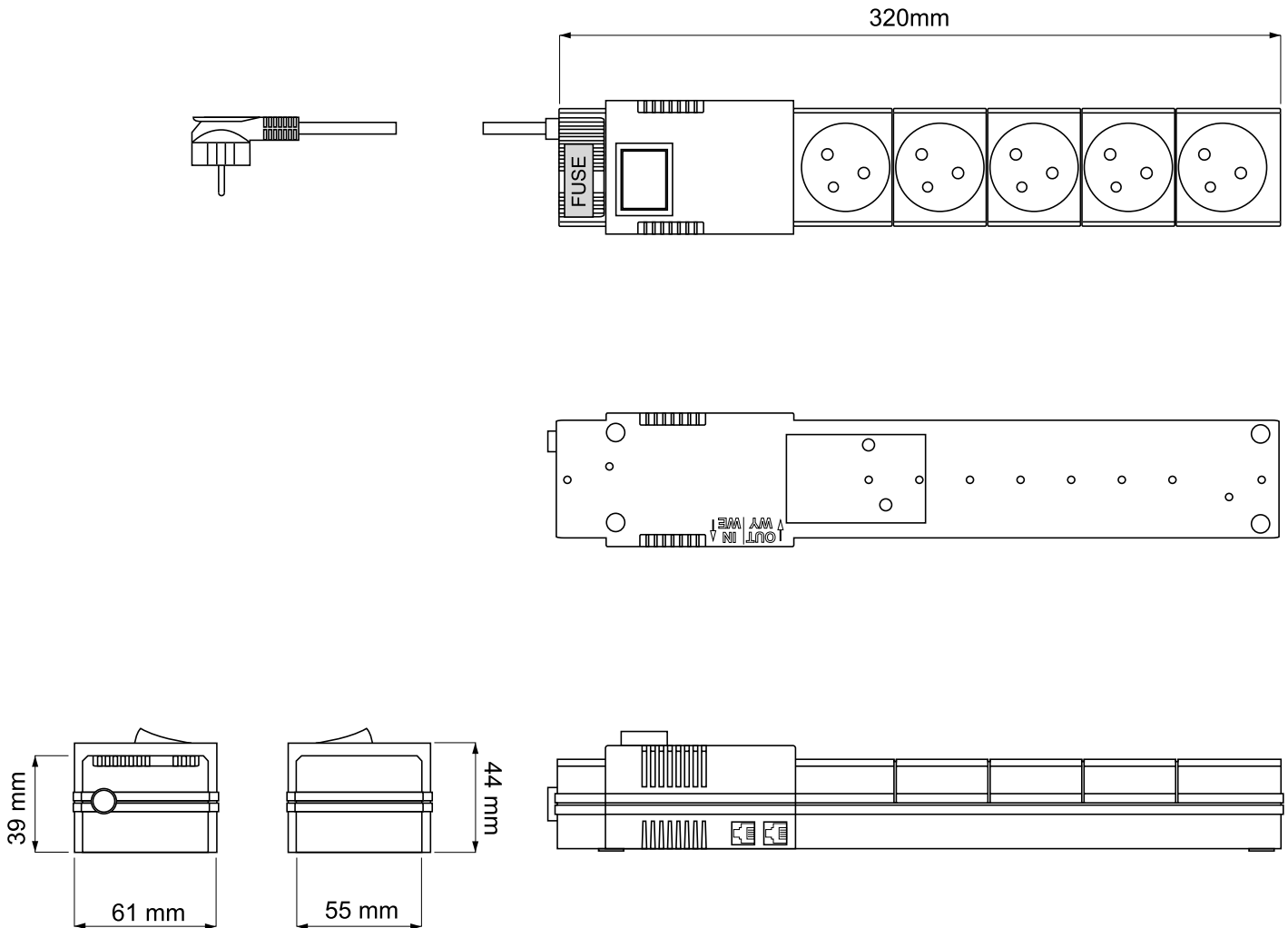




PRODUCT CARD

Surge Protector PC-5T G-A*



Technical Data:

Continuous operating voltage U_c	~250V, 50Hz
Voltage rating U_N	~230V, 50Hz
Rated current ΣI_n	10A
Energy absorption Joules Σ	145J
Max. spike amperage $I_{MAX} \Sigma$	4,5 kA (8/20 μ s) (L/N)
Response time	<25ns
Outflow current	<0,5mA
Switch	Illuminated
Fuse	1x10A/250V
Cable length	L-1,5m

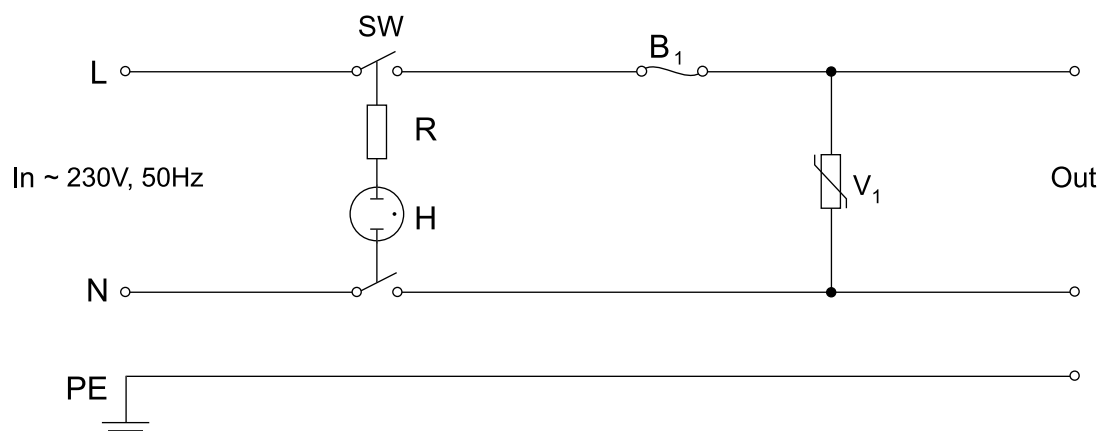
* COLORS:
GR - GREY
BL - BLACK

DATE:	PREPARED:	CONFIRMED:	MODEL:	PAGE 1
			PC-5T G-A*	KK-17/EN



PRODUCT CARD

Electric diagram



Elements:

B ₁	Fuse 10A, 250V
V ₁	Varistor 145J, 4,5kA (8/20μs)
H	Neon lights LTS 13N
R	Resistor 470kΩ
SW	Switch

DATE:

PREPARED:

CONFIRMED:

MODEL:

PAGE 2

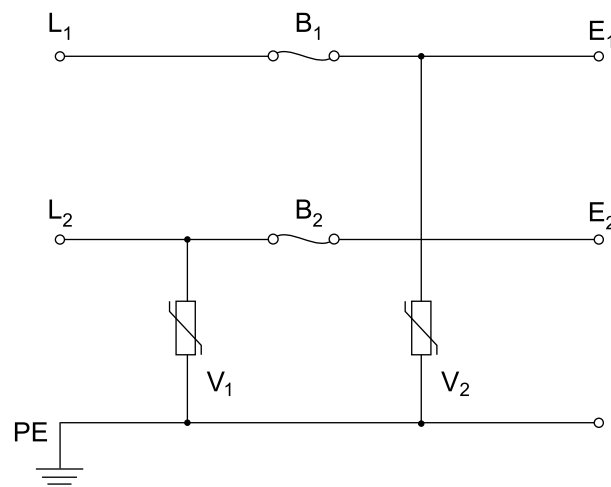
PC-5T G-A*

KK-17/EN



PRODUCT CARD

Telephone protection diagram



Elements:

B ₁ ;B ₂	Fuse 500mA, 250V
V ₁ ;V ₂	Varistor 65J, 4,5kA

Telephone protector data:

Static voltage	230V
Max. spike amperage	10kA (8/20 μ s)
Response time	25ns
Protection	2-line

DATE:	PREPARED:	CONFIRMED:	MODEL:	PAGE 3
			PC-5T G-A*	KK-17/EN