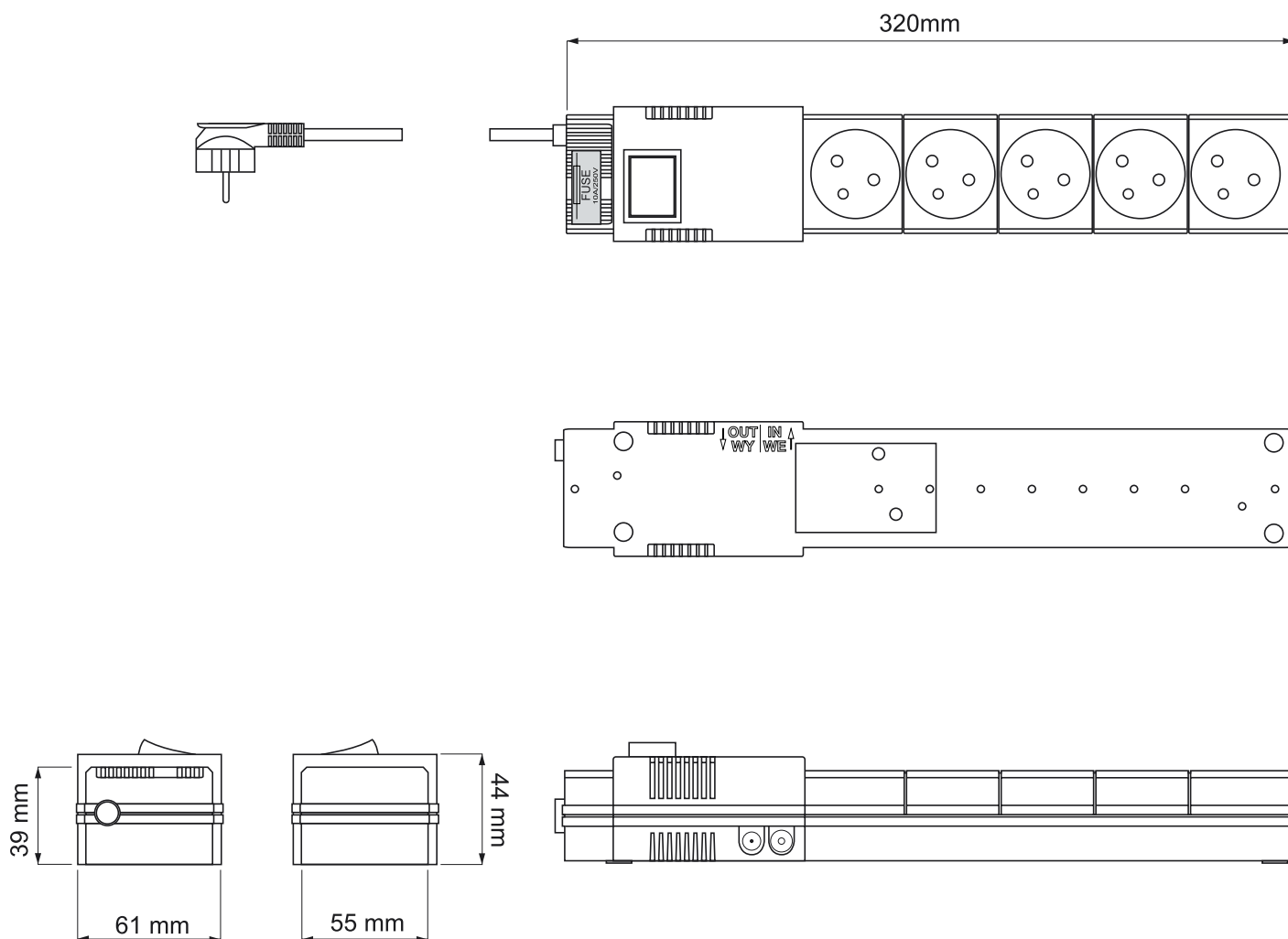




# PRODUCT CARD

## Surge Protector PC-5AVG G-A\*



### Technical Data:

Continuous operating voltage $U_c$	~250V, 50Hz
Voltage rating $U_N$	~230V, 50Hz
Rated current $\Sigma I_n$	10A
Energy absorption Joules $\Sigma$	155J
Max. spike amperage $I_{MAX} \Sigma$	6 kA (8/20 $\mu$ s) (L/N)
Response time	<25ns
Outflow current	<0,5mA
Switch	Illuminated
Fuse	1x10A/250V
Cable length	L-1,5m

### \* COLORS:

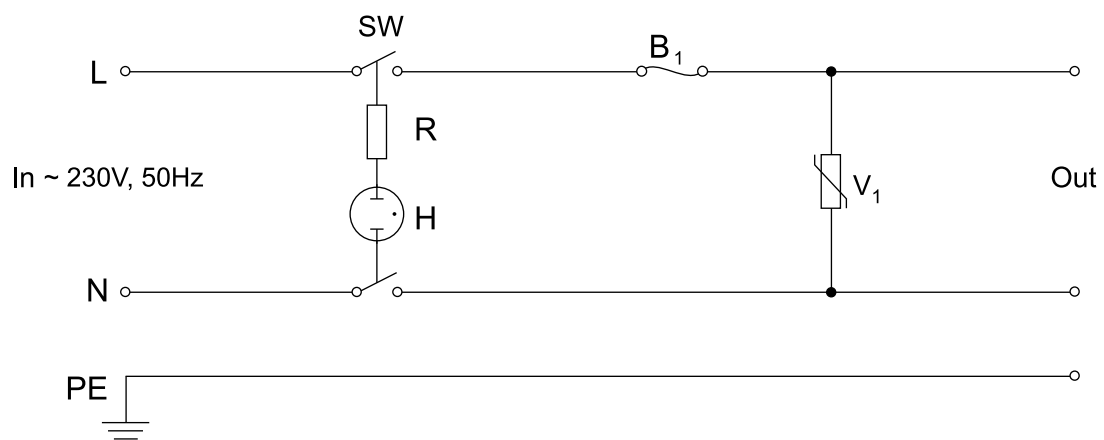
GR - GREY  
BL - BLACK

DATE:	PREPARED:	CONFIRMED:	MODEL:	PAGE 1
09.12.2005			PC-5AVG G-A*	KK-65/EN



# PRODUCT CARD

## Electric diagram



### Elements:

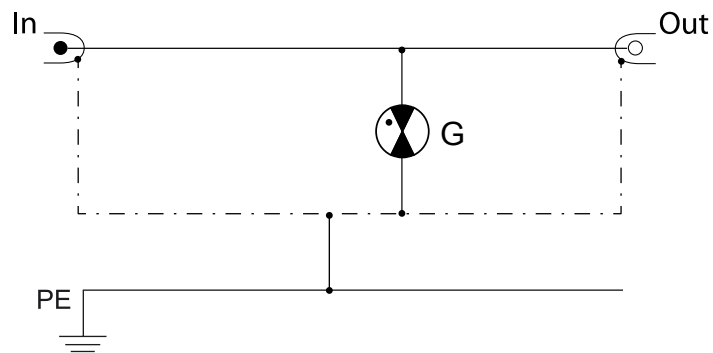
B <sub>1</sub>	Fuse 10A, 250V
V <sub>1</sub>	Varistor 155J, 6kA (8/20μs)
H	Neon light LTS 13N
R	Resistor 470kΩ
SW	Switch

DATE:	PREPARED:	CONFIRMED:	MODEL:	PAGE 2
09.12.2005			PC-5AVG G-A*	KK-65/EN



# PRODUCT CARD

## TV antenna protection diagram

**Element:**

G Gas arrester 230V DCspark (100V/s)

**TV antenna protector data:**

Max. spike amperage	10kA (8/20 $\mu$ s) /line/screen/
Voltage level protection	$\leq$ 750 (1kV/ $\mu$ s) /line/screen/
Response time	100ns

DATE:	PREPARED:	CONFIRMED:	MODEL:	PAGE 3
09.12.2005			PC-5AVG G-A*	KK-65/EN